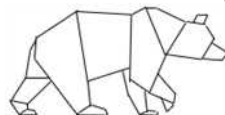


MATERIAL LIST	
QTY	ITEM
2	2"X10" (Nom) Slab 54" Long
3	2X8 (Dim) Board 20 1/2" Long

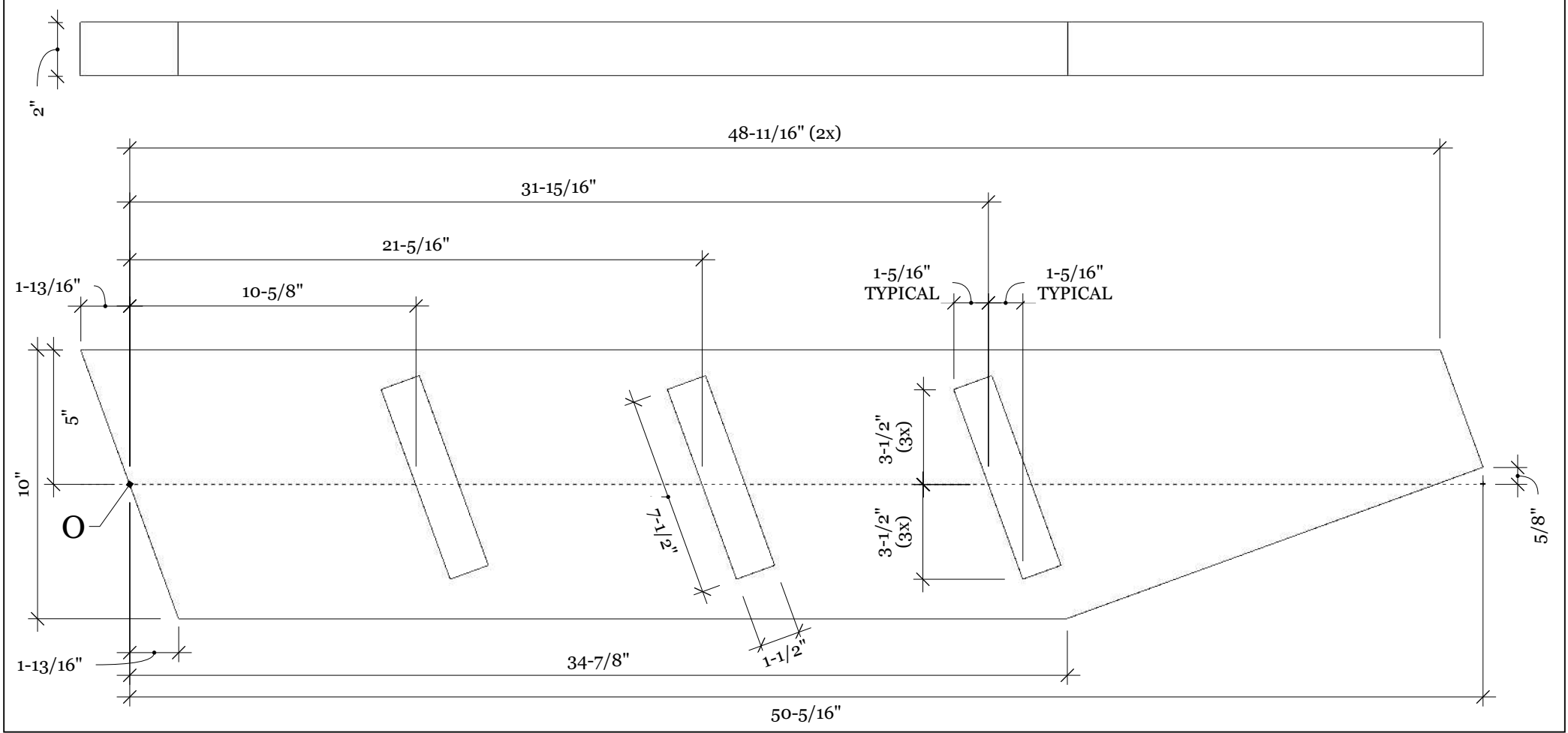
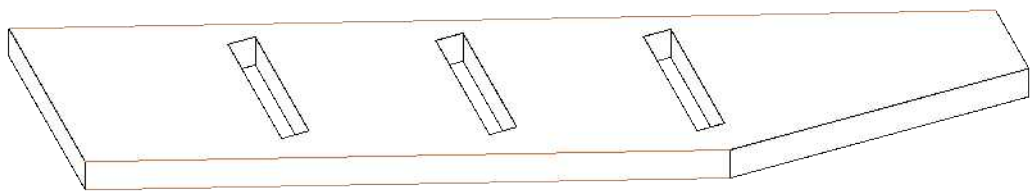
SHIP LADDER

4ft

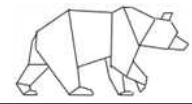


Wild North Design
Company

March 18, 2020



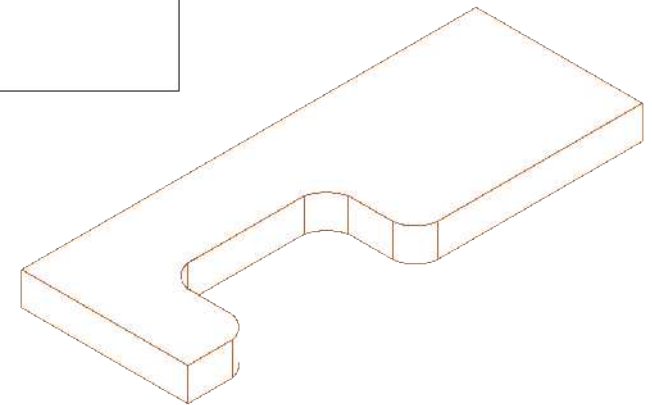
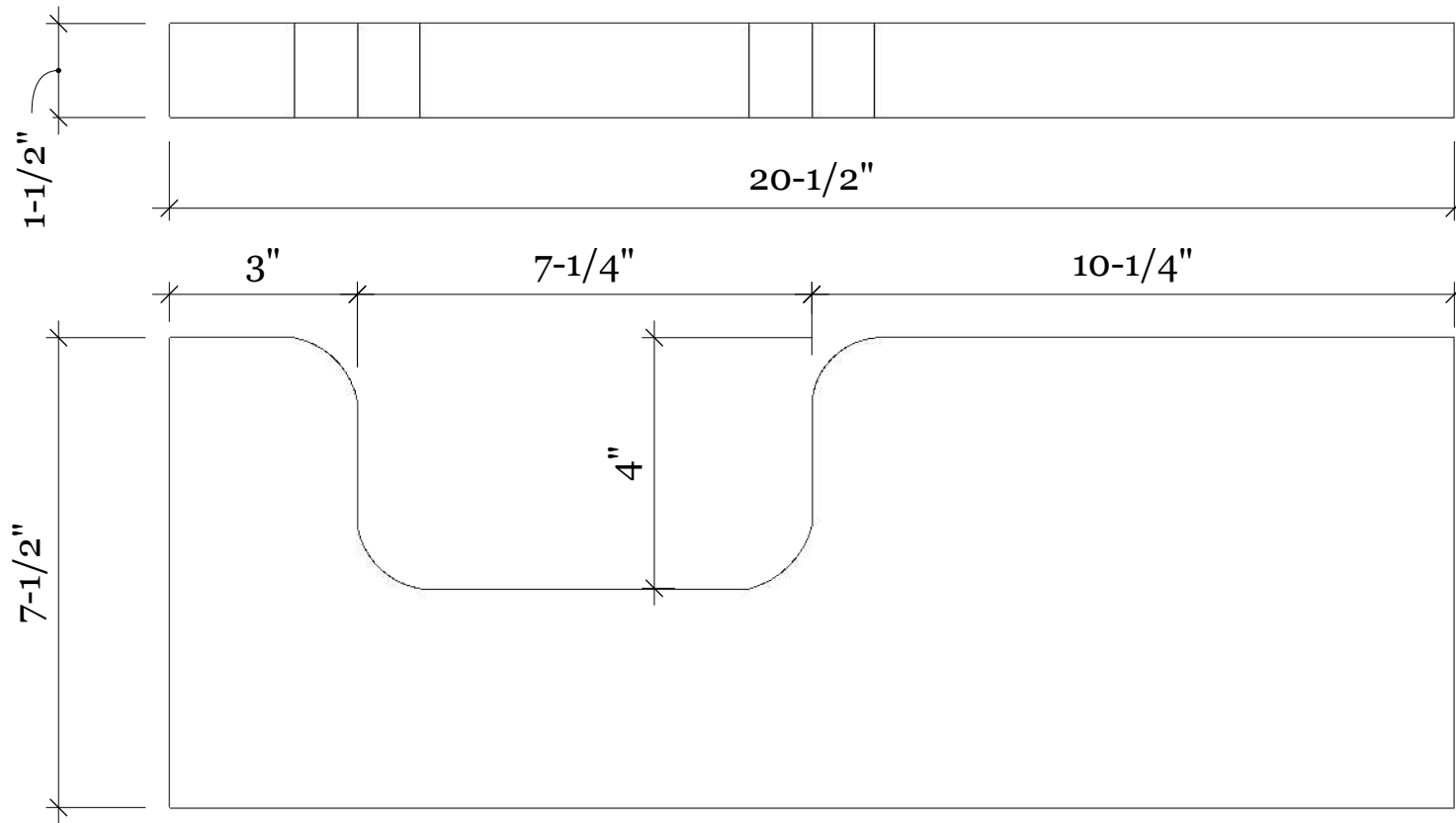
SHIP LADDER 4ft STRINGER DETAIL



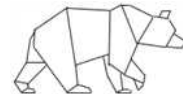
WILD NORTH DESIGN CO.

REVISIONS		
MM/DD/YY	...	REMARKS
1	---/---/---	...
2	---/---/---	...
3	---/---/---	...
4	---/---/---	...
5	---/---/---	...

A 01



SHIP LADDER
4ft
STEP DETAIL



WILD NORTH DESIGN CO.

REVISIONS		
	MM/DD/YY	REMARKS
1	---/---/---	...
2	---/---/---	...
3	---/---/---	...
4	---/---/---	...
5	---/---/---	...

A 02